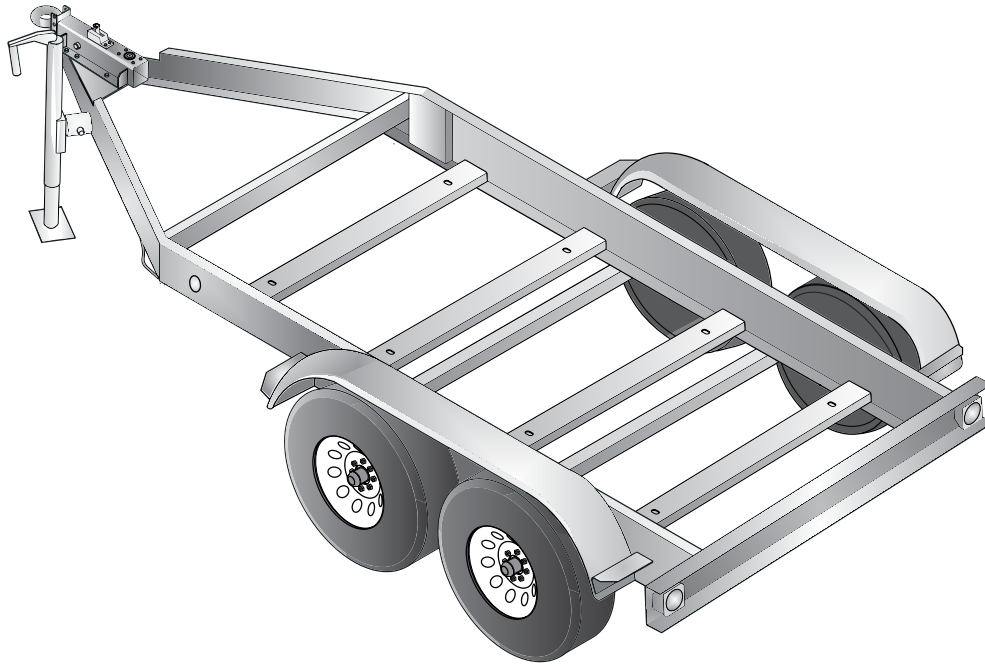




TRLR125US

MQ POWER Tandem Axle Trailer



TRLR125US Technical Data

Gross Vehicle Weight Rating (GVWR) — 10,000 lbs. (4,536 kg)	Tire Size — ST225/75R15 LR-D
Gross Axle Weight Rating (GAWR) — 5,000 lbs. (2,268 kg) (ea.)	Wheel Bolt Pattern — 6 Lug on 5.5 in
Actuator Rating — 12,500 lbs. (5,670 kg)	Tire Load Rating — 2,540 lbs (1,152 kg) (ea.)
Coupler Rating — See coupler options on back page.	Dimensions (LxWxH) — See Dimensions on back page.

STANDARD TRAILER FEATURES

- Fits MQ Power Generator Models DCA125SSIU4F, DCA125SSJU4i, DCA125USI3CAN
- Tandem-axle Design with Torsion Type Suspension
- Formed Steel Frame Construction
- Formed Channel for Generator Mounting and Support
- Replaceable, Bolt-on Hydraulic Brake Actuator
- Surge Hydraulic-actuated Drum Brakes (all axles)
- Hydraulic Uni-servo Drum Brakes with Free-backing Plates - 12-inch Cluster
- D.O.T. Steel Brake Lines, Brass Tees & Rubber Hydraulic Brake Hoses
- 4-hole Channel Allows 3-position, Adjustable Coupler Height; 4-inches O/A
- Tongue Mounted Swivel Jack with Flat Disc-foot (rated 5,000 pound lift)
- Replaceable, Bolt-on Steel Fenders and Brackets
- Torsion-axle Swing Arms
- Powder Coat Paint Process including: Frame, Channel, Actuator & Fenders
- D.O.T. Approved Tail Lamps, Stop Lamps, Turn Signal Lamps, Side Marker Lamps
- Weatherproof, Rubber Armored, 2-piece Trailer Light Wiring Harness





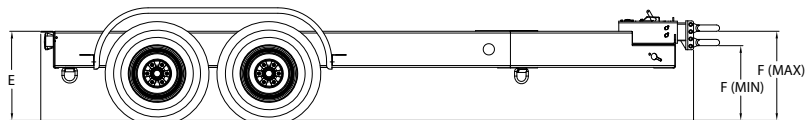
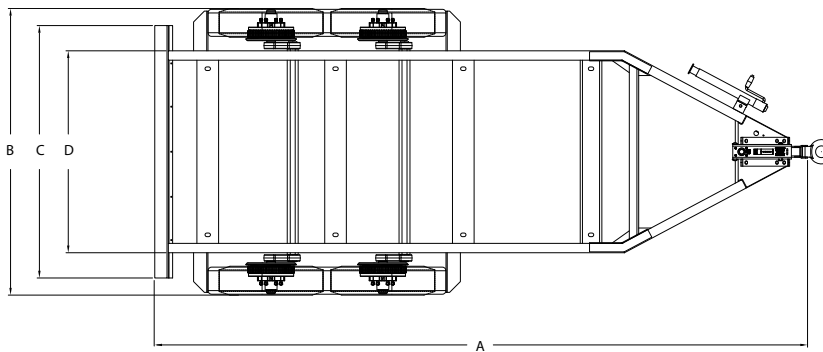
TRLR125US

MQ POWER Tandem Axle Trailer

OPTIONAL TRAILER EQUIPMENT

- Bolt-on Electric Brake Coupler Plate with Electric-actuated Drum Brakes (all axles)
- Electric Breakaway Safety Device (electric-actuated brakes)
- Adjustable 2 5/16-inch Ball Coupler
- Adjustable 3-inch Pintle-eye Coupler
- Rear Stabilizer Stands
- Tongue Mounted Utility Storage Box
- Anti-Theft Wheel Lock
- Spare Tire with Locking Mount

Coupler Options	
3" PINTLE EYE 25,000 lbs	
#EE36264	
2-5/16" BALL COUPLER 14,000 lbs	
#EE43253	



Trailer Dimensions						
A	B	C	D	E	F	
					MIN	MAX
181 in (4,597 mm)	79.5 in (2,019 mm)	70 in (1,778 mm)	56 in (1,422 mm)	24.7 in (627 mm)	20.7 in (526 mm)	24.7 in (610 mm)
Trailer Weight						
1,719 lbs. (780 kg)*						

*Weight is approximate

Your MultiQuip dealer is:

Gonneville Inc.
 211 Calle Pintosco Suite A
 San Clemente, CA 92672
 877-246-8015 sales@gonneville.com



MULTIQUIP
 POST OFFICE BOX 6254
 CARSON, CA 90749
 310-537-3700 • 800-883-2551
 FAX: 310-604-3831
 E-MAIL: sales@multiquip.com
 WEBSITE: www.multiquip.com