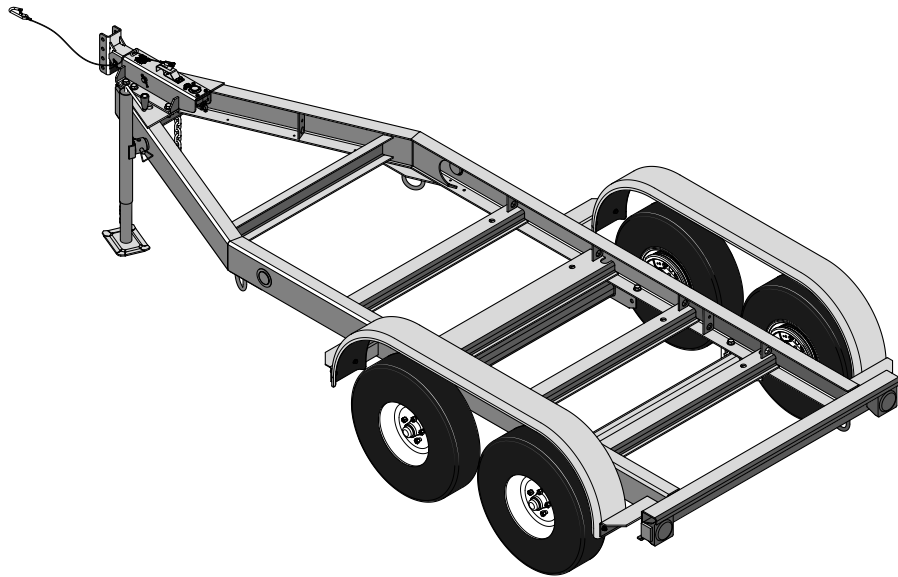




# TRLR70US

## MQ POWER Tandem Axle Trailer



| <b>TRLR70US Technical Data</b>                                |   |
|---|---|
| Gross Vehicle Weight Rating (GVWR) — 7,000 lbs. (3,175 kg)    | Tire Size — ST205/75D15 LR-C                      |
| Gross Axle Weight Rating (GAWR) — 3,500 lbs. (1,588 kg) (ea.) | Wheel Bolt Pattern — 5 Lug on 4.5 in              |
| Actuator Rating — 8,000 lbs. (3,629 kg)                       | Tire Load Rating — 1,820 lbs/825 kg (ea.)         |
| Coupler Rating — See coupler options on back page.            | Dimensions (LxWxH) — See Dimensions on back page. |

### STANDARD TRAILER FEATURES

- Fits MQ Power Generator Models DCA70SSIU4F, DCA70SSJU4i, DCA70USI3CAN
- Tandem-axle Design with Torsion Type Suspension
- H.D. Welded Steel Frame Construction
- Form Channel for Generator Mounting and Support
- Replaceable, Bolt-on Hydraulic Brake Actuator
- Surge Hydraulic-actuated Drum Brakes (all axles)
- Hydraulic Uni-Servo Drum Brakes with Free-backing Plates - 10-inch Cluster
- D.O.T. Steel Brake Lines, Brass Tees & Rubber Hydraulic Brake Hoses
- 4-hole Channel Allows 3-position, Adjustable Coupler Height; 4-inches O/A
- Tongue Mounted Swivel Jack with Flat Disc-foot (rated 3,000 pound lift)
- Replaceable, Bolt-on Steel Fenders and Brackets
- Serviceable Torsion-axle Swing Arms
- Powder Coat Paint Process including: Frame, Channel, Actuator & Fenders
- D.O.T. Approved Tail Lamps, Stop Lamps, Turn Signal Lamps, Side Marker Lamps
- Weatherproof, Rubber Armored, 2-piece Trailer Light Wiring Harness




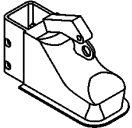
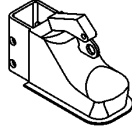
# TRLR70US

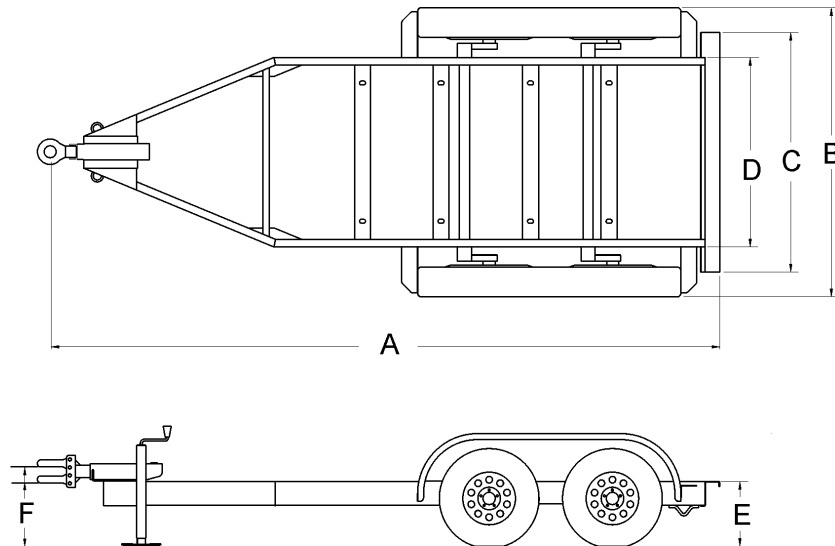
## MQ POWER Tandem Axle Trailer

### OPTIONAL TRAILER EQUIPMENT

- Bolt-on Electric Brake Coupler Plate with Electric-actuated Drum Brakes (all axles)
- Electric Breakaway Safety Device (electric-actuated brakes)
- Adjustable 2-inch Ball Coupler
- Adjustable 2 5/16-inch Ball Coupler
- Adjustable 3-inch Pintle-eye Coupler
- Rear Stabilizer Stands
- Tongue Mounted Utility Storage Box
- Anti-Theft Wheel Lock
- Spare Tire with Locking Mount

### Coupler Options

|                                     |   |
|-------------------------------------|---|
| 3" Pintle Eye<br>25,000 lbs.        |  |
| #EE36264                            |   |
| 2" Ball Coupler<br>10,000 lbs.      |  |
| #EE43254                            |   |
| 2-5/16" Ball Coupler<br>14,000 lbs. |  |
| #EE43253                            |   |



| Trailer Dimensions     |                       |                     |                       |                      |                     |                     |
|------------------------|-----------------------|---------------------|-----------------------|----------------------|---------------------|---------------------|
| A                      | B                     | C                   | D                     | E                    | F                   |                     |
|                        |                       |                     |                       |                      | MIN                 | MAX                 |
| 169.4 in<br>(4,938 mm) | 72.5 in<br>(1,842 mm) | 60 in<br>(1,524 mm) | 47.5 in<br>(1,207 mm) | 20.35 in<br>(517 mm) | 20.2 in<br>(513 mm) | 24.2 in<br>(615 mm) |
| Trailer Weight         |                       |                     |                       |                      |                     |                     |
| 960 lbs. (435 kg)*     |                       |                     |                       |                      |                     |                     |

\*Weight is approximate

Your Multiquip dealer is:

Gonneville Inc.  
211 Calle Pintosco Suite A  
San Clemente, CA 92672  
877-246-8015 sales@gonneville.com



**MULTIQUIP**  
POST OFFICE BOX 6254  
CARSON, CA 90749  
310-537-3700 • 800-883-2551  
FAX: 310-604-3831  
E-MAIL: sales@multiquip.com  
WEBSITE: www.multiquip.com