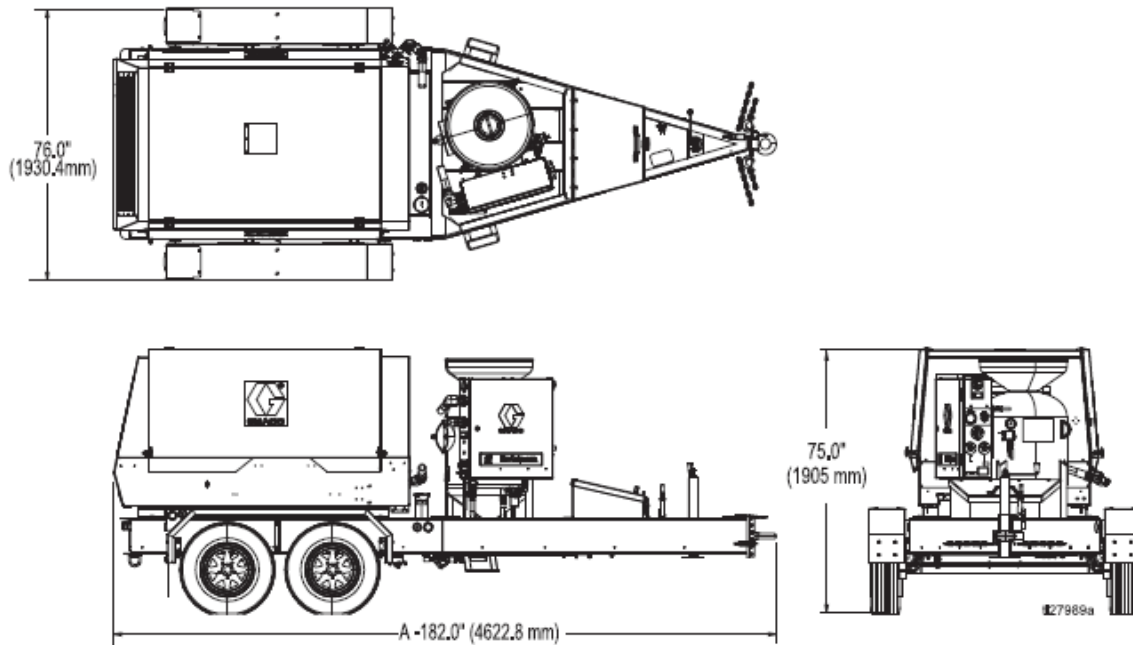


EQ200T



EQ200T Elite		
	U.S.	Metric
Maximum Working Pressure	125 psi	8.61 bar, 0.86 MPa
Operating Temperature	35° - 110° F	1.6° - 43.3° C
Blast Hose Size	1.25 in. ID	31.75 mm ID
Abrasive Capacity*	880 lb.	400 kg
Dry Weight	4000 lb.	1814 kg
Wet Weight*	6000 lb.	2721 kg
Pressure Pot Volume	6.5 cubic feet	184 liters
Water Tank Volume	100 gallon	378 liters
Air Consumption	210 CFM	5.9 m ³ /min
* Abrasive capacity and wet weight was found using 80 grit garnet. Using coarser media or less dense media will decrease weight.		
Trailer Connections		
Hitch Size	3 in. Lunette Ring (Pintel Eye)	
Electrical Connector	7-way Flat Pin	
Sound Data**		
Sound Pressure Level	133 dB(A)	133 dB(A)
Sound Power Level	139 dB(A)	139 dB(A)
Instantaneous Sound Pressure Level	131 dB(C)	131 dB(C)
** All readings were taken at the maximum system blast pressure 150 psi (10.3 bar, 1.03 MPa) from the operator position. The abrasive used was garnet and the substrate was steel. Tested in accordance with ISO 9614-2.		