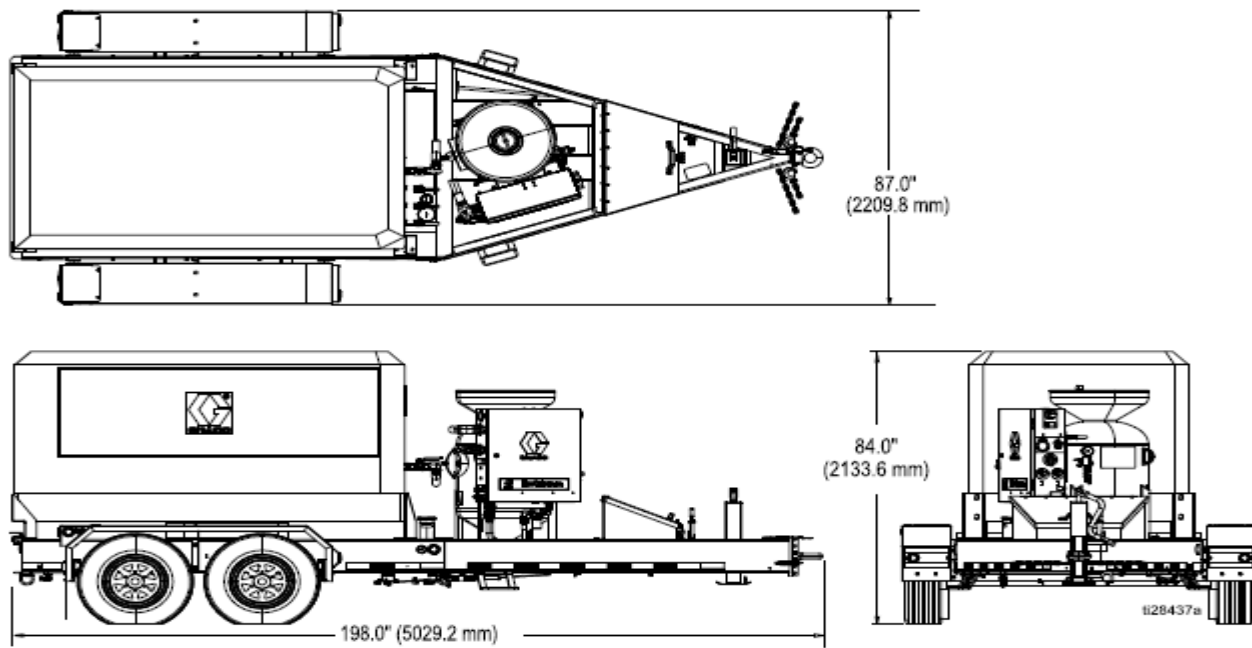


EQ400T



EQ400T Elite		
	U.S.	Metric
Operating Temperature	35° - 110° F	1.6° - 43.3° C
Blast Hose Size	1.25 in. ID	31.75 mm ID
Abrasive Capacity*	880 lb.	400 kg
Pressure Pot Volume	6.5 cubic feet	184 liters
Water Tank Volume	130 gallon	492 liters
Tier 3		
Maximum Working Pressure	125 psi	8.61 bar, 0.86 MPa
Dry Weight	6000 lb.	2721 kg
Wet Weight*	8000 lb.	3628 kg
Air Capacity	375 CFM	10.6 m ³ /min
Tier 4		
Maximum Working Pressure	175 psi	12.1 bar, 1.21 MPa
Dry Weight	7400 lb.	3356 kg
Wet Weight*	9400 lb.	4263 kg
Air Capacity	425 CFM	12 m ³ /min
* Abrasive capacity and wet weight was found using 80 grit garnet. Using coarser media or less dense media will decrease weight.		
Trailer Connections		
Hitch Size	3 in. Lunette Ring (Pintel Eye)	
Electrical Connector	7-way Flat Pin	
Sound Data**		
Sound Pressure Level	133 dB(A)	133 dB(A)
Sound Power Level	139 dB(A)	139 dB(A)
Instantaneous Sound Pressure Level	131 dB(C)	131 dB(C)
** All readings were taken at the maximum system blast pressure 150 psi (10.3 bar, 1.03 MPa) from the operator position. The abrasive used was garnet and the substrate was steel. Tested in accordance with ISO 9614-2.		