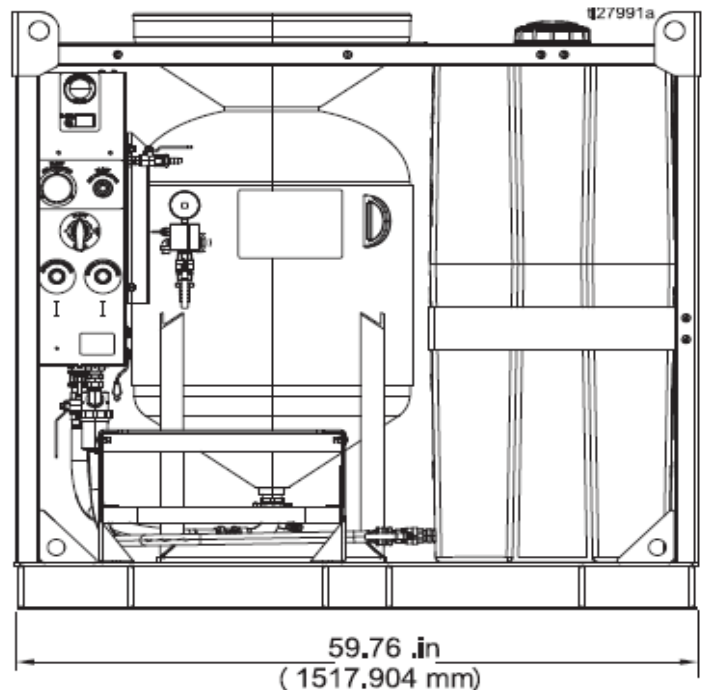
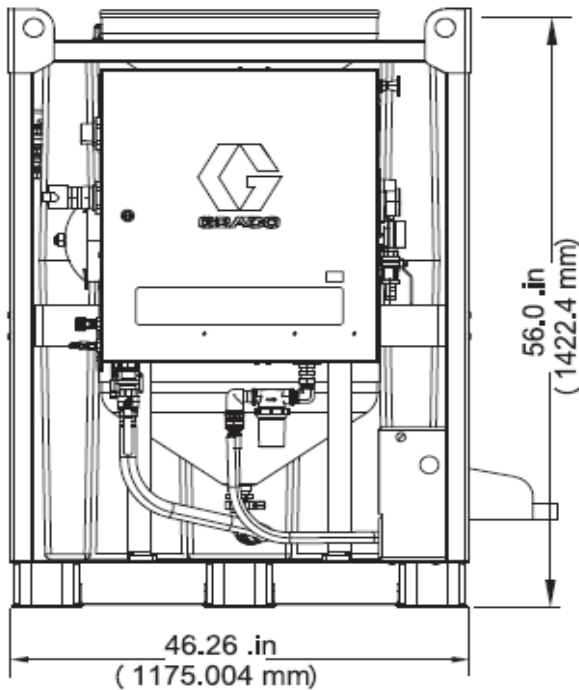


EQs and EQs Elite Models:



EQs and EQs Elite		
	U.S.	Metric
Maximum Fluid Working Pressure	175 psi	12.1 bar, 1.21 MPa
Operating Temperature	35° - 110° F	1.6° - 43.3° C
Recommended Compressor Size	375-900 CFM	10.6-25.5 m ³ /min
Blast Hose Size	1.25 in. ID	31.75 mm ID
Abrasive Capacity*	880 lb.	400 kg
Dry Weight	1070 lb.	485 kg
Wet Weight*	3120 lb.	1415 kg
Pressure Pot Volume	6.5 cubic feet	184 liters
Water Tank Volume	115 gallon	435 liters
* Abrasive capacity and wet weight was found using 80 grit garnet. Using coarser media or less dense media will decrease weight.		
Air Supply Hose Minimum ID		
185-600 CFM compressor and less than 100 ft. hose length	1.5 in. ID	38 mm ID
Over 600 CFM compressor or greater than 100 ft. hose length	2 in. ID	51 mm ID
Sound Data**		
Sound Pressure Level	133 dB(A)	133 dB(A)
Sound Power Level	139 dB(A)	139 dB(A)
Instantaneous Sound Pressure Level	131 dB(C)	131 dB(C)
** All readings were taken at the maximum system blast pressure 150 psi (10.3 bar, 1.03 MPa) from the operator position. The abrasive used was garnet and the substrate was steel. Tested in accordance with ISO 9614-2.		