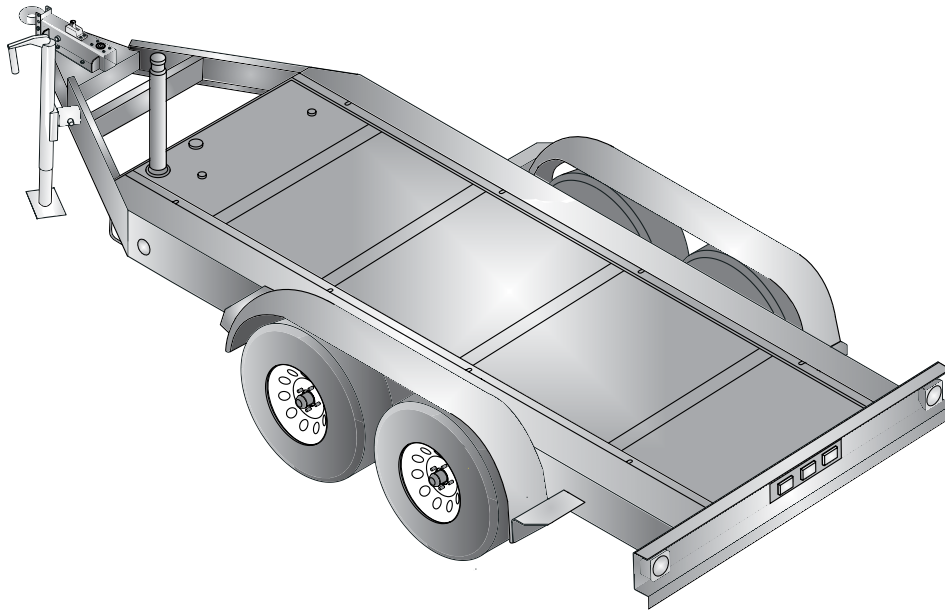




TRLR180XF

MQ POWER Tandem Axle Trailer



TRLR180XF Technical Data

| | |
|--|---|
| Gross Vehicle Weight Rating (GVWR) — 12,000 lbs (5,443 kg) | Tire Size — ST235/80R16 LR-E |
| Gross Axle Weight Rating (GAWR) — 7,000 lbs (3,175 kg) (ea.) | Wheel Bolt Pattern — 8 Lug on 6.5 in |
| Actuator Rating — 12,500 lbs (5,670 kg) | Tire Load Rating — 3,500 lbs/1,588 kg (ea.) |
| Coupler Rating — See coupler options on back page | Dimensions (LxWxH) — See back page |

STANDARD TRAILER EQUIPMENT

- Fits MQ Power Generator Model DCA150SSJU4F
- Tandem-axle Design with Leaf Spring Suspension
- H.D. Welded Steel Frame Construction
- Structural Channel for Generator Mounting and Support
- Integral Fuel Cell; Single-wall Steel Design, 210-Gallon Capacity; UN31A Certified
- Replaceable, Bolt-on Hydraulic Brake Actuator
- Surge Hydraulic-actuated Drum Brakes (all axles)
- Hydraulic Uni-servo Drum Brakes with Free-backing Plates-12-inch Cluster
- D.O.T. Steel Brake Lines, Brass Tees and Rubber Hydraulic Brake Hoses
- 4-hole Channel Allows 3-position, Adjustable Coupler Height; 4-inches O/A
- Tongue Mounted Swivel Jack with Flat Disc-foot (rated 5,000 pound lift)
- Replaceable Bolt-on Steel Fenders
- High-gloss Enamel Coated Frame, Channel, Actuator and Fenders
- D.O.T. Approved Tail Lamps, Stop Lamps, Turn Signal Lamps, Side Marker Lamps
- Weatherproof, Rubber Armored, 3-piece Trailer Light Wiring Harness





TRLR180XF

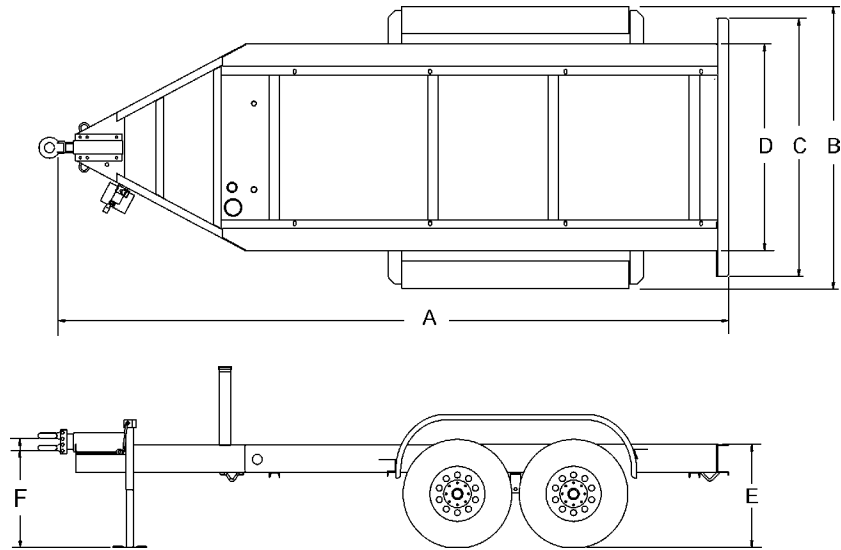
MQ POWER Tandem Axle Trailer

OPTIONAL TRAILER EQUIPMENT

- Bolt-on Electric Brake Coupler Plate with Electric-actuated Drum brakes (all axles)
- Electric Breakaway Safety Device (electric-actuated brakes)
- Adjustable 2 5/16-inch Ball Coupler
- Adjustable 3-inch Pintle-eye Coupler
- Rear Stabilizer Stands
- Tongue-Mounted Utility Storage Box
- Anti-Theft Wheel Lock
- Spare Tire with Locking Mount

Coupler Options

| | |
|---|---|
| 3" Pintle Eye 25,000 lbs. #EE36264 |  |
| 2-5/16" Ball Coupler 14,000 lbs. #EE43253 |  |



| Trailer Weight | |
|------------------------|------------------------|
| Without fuel | With fuel |
| 2,548 lbs. (1,156 kg)* | 4,039 lbs. (1,832 kg)* |

* Weight is approximate

| Trailer Dimensions | | | | | | |
|--------------------|----------|--------|--------|----------|----------|----------|
| A | B | C | D | E | F | |
| | | | | | Min | Max |
| 203.2 in. | 84.5 in. | 75 in. | 60 in. | 26.5 in. | 20.4 in. | 24.4 in. |

Your Multiquip dealer is:

Gonneville, Inc.
 211 Calle Pintesco Ste.#A
 San Clemente, CA. 92672
 949-248-7297
 Sales@Gonneville.com | Gonneville.com

