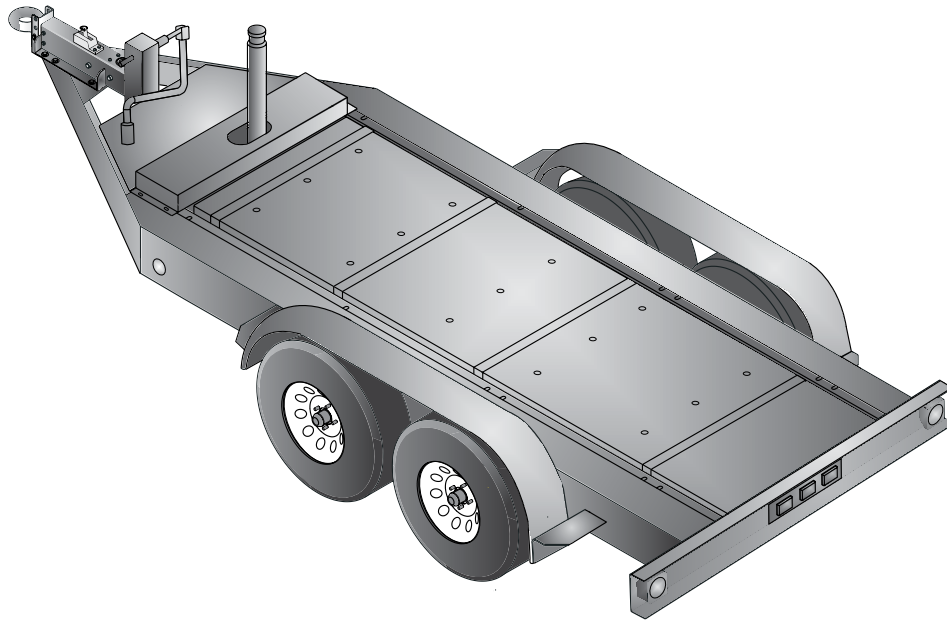




TRLR325XF

MQ POWER Tandem Axle Trailer



TRLR325XF Technical Data

Gross Vehicle Weight Rating (GVWR) — 18,000 lbs (8,165 kg)	Tire Size — 235/75R17.5 LR-H
Gross Axle Weight Rating (GAWR) — 10,000 lbs (4,536 kg) (ea.)	Wheel Bolt Pattern — 8 Lug on 6.5 in
Actuator Rating — 20,000 lbs (9,072 kg)	Tire Load Rating — 6,005 lbs/2,724 kg (ea.)
Pintle Eye Coupler Rating — 25,000 lbs (11,340 kg)	Dimensions (LxWxH) — See back page

STANDARD TRAILER EQUIPMENT

- Fits MQ Power Generator Models DCA300SSJU4F and MQP240
- Straight Tandem-axle Design with Leaf Spring Suspension
- H.D. Welded Steel Frame Construction
- Structural Channel for Generator Mounting and Support
- Integral Fuel Cell; Single-wall Steel Design, 300-Gallon Capacity; UN31A Certified
- Replaceable, Bolt-on Hydraulic Brake Actuator
- Electric-actuated Drum Brakes (all axles)
- Hydraulic Uni-servo Drum Brakes - 12-inch Cluster (allows 15-20% braking in reverse)
- D.O.T. Steel Brake Lines, Brass Tees and Rubber Hydraulic Brake Hoses
- 4-hole Channel Allows 3-position, Adjustable Coupler Height; 4-inches O/A
- 3-inch Pintle-eye Coupler, Rated 25,000 lbs
- Heavy-duty, Tongue Mounted, Drop-leg Jack (rated 10,000 pound lift)
- Replaceable Bolt-on Steel Fenders
- High-gloss Enamel Coated Frame, Channel, Actuator and Fenders
- D.O.T. Approved Tail Lamps, Stop Lamps, Turn Signal Lamps, Side Marker Lamps
- Weatherproof, Rubber Armored, 3-piece Trailer Light Wiring Harness



TRLR325XF

MQ POWER Tandem Axle Trailer

OPTIONAL TRAILER EQUIPMENT

- Bolt-on Electric Brake Coupler Plate with Electric-actuated Drum Brakes (all axles)
- Anti-Theft Wheel Lock
- Tongue Mounted Utility Storage Box
- Electric Breakaway Safety Device (electric-actuated brakes)
- Rear Stabilizer Stands
- Spare Tire with Locking Mount

Coupler Options

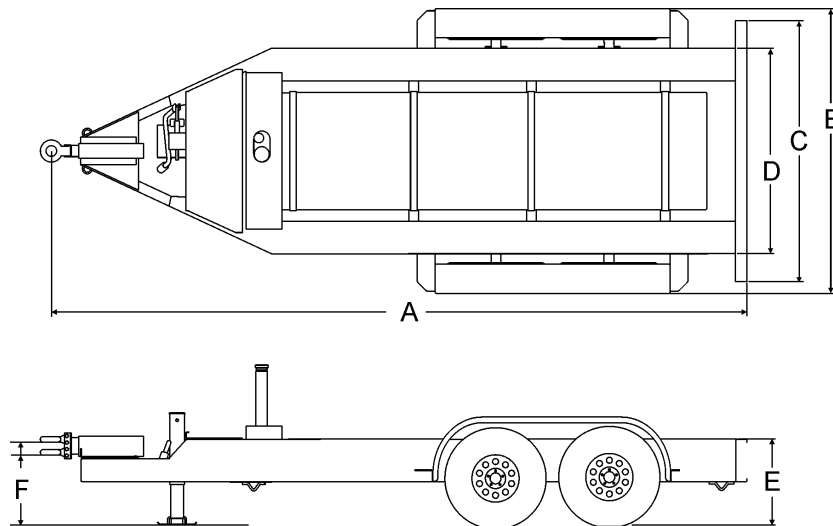
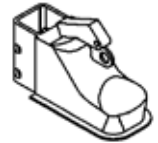
3" Pintle Eye
25,000 lbs.

#EE36264



2-5/16" Ball Coupler
20,000 lbs.

#EE56770



Trailer Weight	
Without fuel	With fuel
3,760 lbs. (1,706 kg)*	5,893 lbs. (2,673 kg)*

* Weight is approximate

Trailer Dimensions						
A	B	C	D	E	F	
					Min	Max
234 in.	96 in.	88 in.	69 in.	33 in.	27 in.	31 in.

Your Multiquip dealer is:

Gonneville, Inc.
211 Calle Pintosco Ste. #A
San Clemente, CA. 92672
949-248-7397
Sales@Gonneville.com | Gonneville.com

