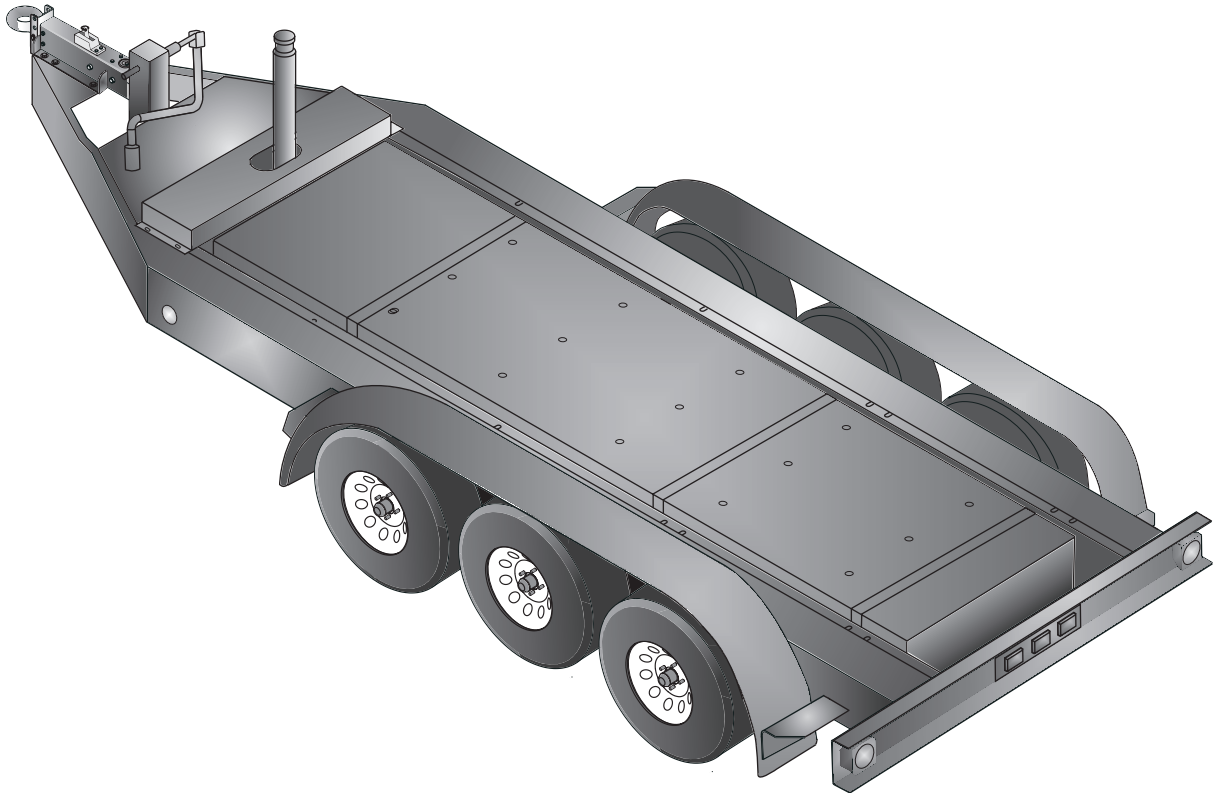




TRLR400XF3DA

MQ POWER Triple Axle Trailer



TRLR400XF3DA Technical Data

| | |
|--|---|
| Gross Vehicle Weight Rating (GVWR) — 20,000 lbs (9,072 kg) | Tire Size — ST235/80R16 LR-E |
| Gross Axle Weight Rating (GAWR) — 7,000 lbs (3,175 kg) (ea.) | Wheel Bolt Pattern — 8 x 6.5 |
| Actuator Rating — 20,000 lbs (9,072 kg) | Tire Load Rating — 3,500 lbs (1,588 kg) ea. |
| Coupler Rating — See coupler options on back page | Dimensions — See reverse page |

STANDARD TRAILER EQUIPMENT

- Fits MQ Power Generator Model DCA400SSI4F
- Triple Drop-Axle Design with Slipper Spring Suspension
- Formed Steel Channel Frame Construction
- Integral Diesel Fuel Cell; Single-wall Steel Design, 350-gallon/1,325-liter Capacity; UN31A Certified
- Replaceable, Bolt-on Hydraulic Brake Actuator
- Hydraulic Uni-servo Drum Brakes with free backing 12-inch Cluster
- D.O.T. Steel Brake Lines, Brass Tees & Rubber Hydraulic Brake Hoses
- 4-hole Channel Allows 3-position, Adjustable Coupler Height; 4-inches O/A
- Heavy-duty Tongue Mounted, Drop-leg Jack (rated 10,000 pound lift)
- Replaceable Bolt-on Steel Fenders
- High-gloss Enamel Coated Frame, Channel, Actuator and Fenders
- D.O.T. Approved Tail Lamps, Stop Lamps, Turn Signal Lamps, Side Marker Lamps
- Weatherproof, Rubber Armored, 2-piece Trailer Light Wiring Harness



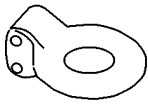
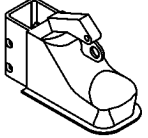
TRLR400XF3DA

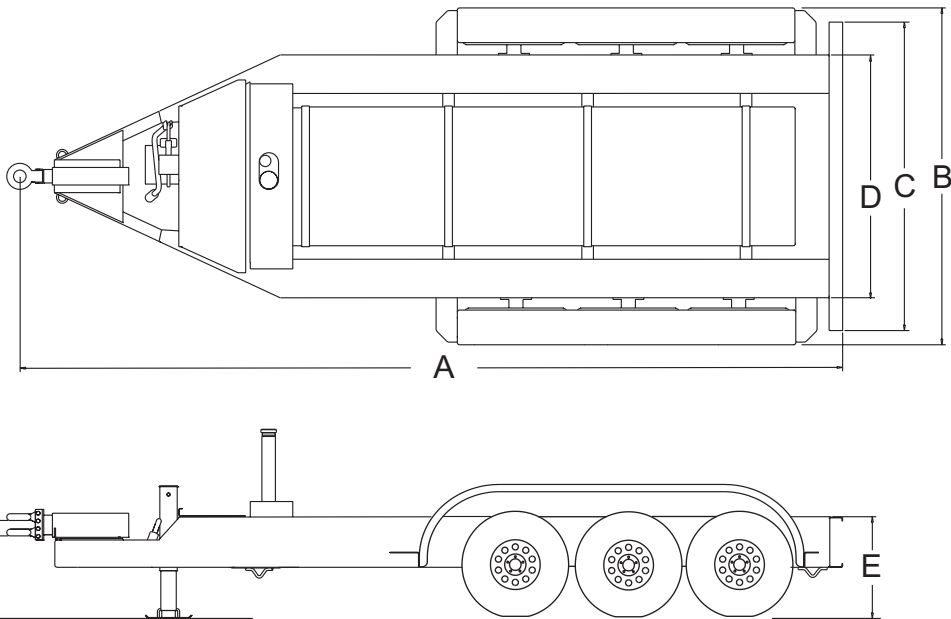
MQ POWER Triple Axle Trailer

OPTIONAL TRAILER EQUIPMENT

- Adjustable 2 5/16-inch Ball Coupler
- Adjustable 3-inch Pintle Eye Coupler
- Rear Stabilizer Stands
- Tongue Mounted Utility Storage Box
- Spare Tire with Locking Mount
- Anti-Theft Wheel Lock
- Electric-Actuated Drum Brakes (all axles)

Coupler Options

| | |
|---|---|
| 3" Pintle Eye 25,000 lbs. #EE36264 |  |
| 2-5/16" Ball Coupler 20,000 lbs. #EE56770 |  |



| Trailer Dimensions | | | | | | |
|--------------------|--------|--------|--------|----------|----------|----------|
| A | B | C | D | E | F | |
| | | | | | Min | Max |
| 264 in. | 94 in. | 84 in. | 66 in. | 27.4 in. | 22.6 in. | 26.6 in. |

| Trailer Weight | |
|------------------------|-----------------------|
| Without Fuel | With Fuel |
| 4,280 lbs. (1,943 kg)* | 6,765 lbs (3,071 kg)* |

*Weight is approximate

Your MultiQuip dealer is:

Gonneville Inc.
211 Calle Pintesco Ste #A
San Clemente, CA. 92672
949-248-7297
Sales@Gonnevill.com | Gonneville.com

