



DANNAR

Power to Transform



MOBILE POWER STATION (MPS)

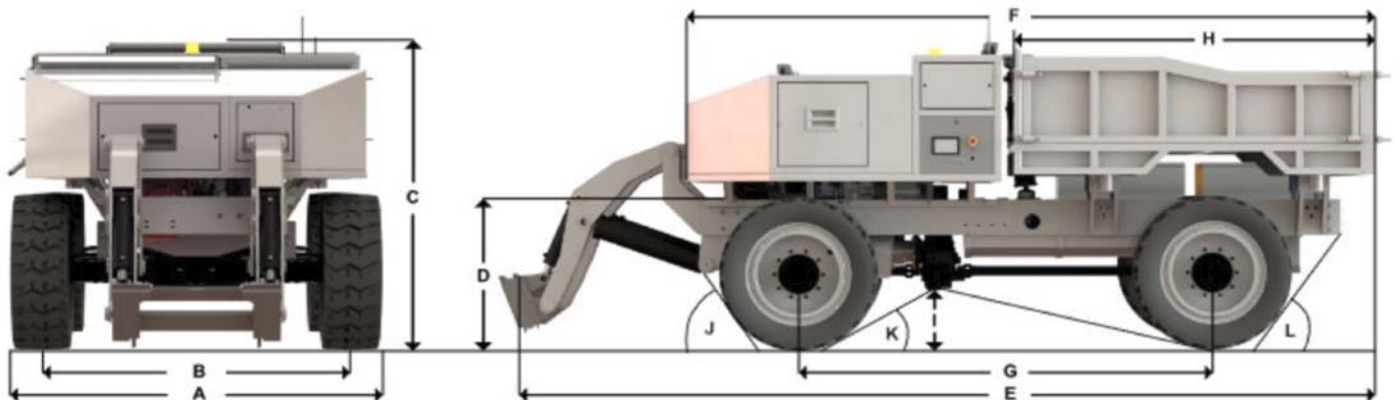
Electric Power Work Vehicle

Built with commercially available components and subassemblies sourced from major OEM suppliers, key features of the base MPS configuration include:

- Heavy-duty steel ladder frame chassis, modular body panels, cab and bed options for ease of configuration and specific service
- Off-vehicle HRI wireless remote control or tethered control station via joysticks and touch screen.
- Options for teleoperation/remote control and autonomous operation
- Four-wheel articulated steering
- 42" Bridgestone tires on DW 13z24 Wheels
- Electro-mechanical planetary drive
- Hydraulic Power Unit supplying HTMA Type I, II, and III tool circuits
- Traction motor with full regeneration
- Intelligent electro-hydraulic parking brake
- High-efficiency internal battery packs with options to add optional packs as-needed
- BMS electronics with safety features at cell, module, and pack levels per ISO26262/ASIL C
- Battery system controller to oversee multi-pack battery system behavior
- Plug-in electric charging system
- Cargo bed designed for easy removal to allow installation of various other platforms, beds, tanks, etc.
- Dual quick hitch system with plug-&-play attachment controls

Dannar offers comprehensive logistics support to its customers, including:

- Formal operation and maintenance training
- Continuous 24-hour/7-days-per-wk telematic monitoring, diagnostics and help-desk support
- A battery lease plan that ensures each owner is resupplied with fresh batteries on a scheduled basis and otherwise as needed
- A 5-year warranty covering all structural and mechanical powertrain, electronic hardware/software, and hydraulic pumps, cylinders, valves and motors. Wearable/consumable items excluded.



A	Total width	97.1in
B	Track width	84.8in
C	Total height	86.8in
D	Bed Frame height	42.1in
E	Total length w pick-arms extended	241.5in
F	Length w/o attachment pick-up arms	195.4in

G	Track length	111.1in
H	Bed Frame length	97in
I	Ground clearance	15.6in
J	Approach angle	51°
K	Breakover angle	42°
L	Departure angle	57°

Approximate Curb Mass/Weight: 10,000 lb / 4536 kg

MPS CONFIGURATION SPECIFICATIONS & ON-BOARD POWER

	Battery Only	APU Only	Combined
Rated Capacity			
Base Battery Set	38.4 kWh		38.4 kWh
Full-Complement Battery Set*	134.4 kWh		134.4kWh
Max Battery Set* with APU*	115.2kWh	600kWh**	715.2 kWh**
Rated Power (@ Best Efficiency)			
Base Battery Set	38.4 kW		38.4kW
Full-Complement Battery Set*	134.4kW		134.4kW
Max Battery Set* with APU*	115.2kW	60 kW	175.2 kW
Max Power, <30sec peak			
Base Battery Set	595 kW		595 kW
Full-Complement Battery Set*	2 MW		2 MW
Max Battery Set* with APU*	1784 kW	70 kW	1854 kW
Max Power, Continuous			
Base Battery Set	182kW		182kW
Full-Complement Battery Set*	637kW		637 kW
Max Battery Set* with APU*	546kW	60kW	606 kW
Operating Time (at Continuous Rated Power)	1 hr.	10 hrs.	10+ hrs.
Operating Time (at Max Continuous Power)	12.7 min	10 hrs.	10+ hours
Battery Re-charge Time (via 15+ kW AC source)	~2.56 hrs.		
Electrical Export Power Voltages	120VAC-60Hz Single Phase / 208VAC-60Hz Three Phase		

MOBILITY SPECIFICATIONS:

Top Speed	18 mph (Calibratable to Lower Limit)
Acceleration	>4 mph/s (High Range); >6 mph/s (Low Range)
Grading Capacity	50% Grade @ 3.6 mph (Continuous; Low Range)
Towing Capacity	200,000+ lbs @ 10 mph (Hi); 700,000+ lbs. @ 3 mph (Lo)
Drawbar Pull	4,760+ lbf (Hi); 14,380+ lbf (Lo)
Turning Circle	27 feet; Curb-to-curb with 4W Steer
Propulsion	Full-time 4x4 Electric Drive with Regenerative Braking Heavy Duty Transfer Case with Electro-hydraulic Shifting Heavy Duty Planetary Axles (1 Fixed; 1 Oscillating)
Brakes	Battery Regeneration through Traction Motor Additional Front/Rear Wet-disc Brake-By-Wire SAHR Parking Brake
Steering	4-Wheel Steer-By-Wire Selectable 2W, 4W-Coordinated and 4W-Crab steering
Fuel Capacity	50 Gallon Diesel

Emissions from the MPS will come only from the on-board Generator/ Auxiliary Power Unit (APU). All APU options will be 40CFR60 compliant, and approved for stationary as well as mobile use.

Environmental: Ambient Temperature Range: -5°F to 131°F (Future versions up to or below -20°F) Water Fording: 24 inches

OPTIONAL UPGRADES TO THE MPS BASE CONFIGURATION

Body Options	<p>Quick-Install Driver & Passenger Seats for Site-to-Site Transit (on otherwise Remotely-Controlled MPS)</p> <p>Environmentally-Controlled Operator Cab with Steering Wheel and Foot Pedal and Joystick and Touchscreen Tool Control</p> <p>Custom Modular Body Panels</p>
Power Options	<p>Additional 24kWh Battery Packs—Up to 4 Additional Packs with Optional APU or Up to 5 Additional battery packs with no Optional APU</p> <p>Auxiliary Power Unit, US EPA Tier 4 Diesel Engine 60kW</p> <p>6kW inverters (up to 6) for expanded export of AC Electric Power</p> <p>DC Rapid Battery Re-Charging</p>
Utility Options	<p>Load Arms with Universal Quick Attach Mount Plate</p> <p>Hydraulic 3-Way Tilt Cargo Bed with Tailgate</p> <p>Scissor lift, fits in 3 way tilt bed (instead of standard cargo bed)</p> <p>Hide-away loading ramp</p> <p>Shackles for towing, tying down, and/or airlifting</p> <p>Retractable telescoping masts for high intensity lights, cameras, sensors, etc.</p> <p>Winches for extraction operations</p> <p>Specialty/customer-unique hydraulic power takeoff connectors</p>
Mobility Options	<p>Tracks instead of wheels (one-for-one replacement)</p> <p>Smaller diameter tires/wheels for lower frame height</p>



Green Multi-Functional Utility Vehicle
to replace many Single-Purpose Vehicles



Mobile Power Source, Micro Grid
& Recharging Station
Delivering up to 134.4kW

DANNAR

Manufactured with Pride in the USA

4620 W. Bethel Avenue Muncie IN. 47304
(765) 216-7191 | info@dannar.us.com



Gonneville Inc.

Powerful Solutions

Contact Gonneville Inc. for Sales Inquiries

211 Calle Pintoresco Suite A San Clemente, CA. 92672
(877) 246-8015 | sales@gonneville.com